



Discover  
the potential

**Savema**  
Marking and Coding Machines



### Company Profile:

SAVEMA Marking and Codig Ltd.Sti has been founded in 2010 in order to make production of Thermal Transfer Overprinters based on business partners and customer satisfaction all over the world. Savema is the first and only Turkish company that manufactures thermal transfer overprinters. Electronic, mechanical, software and machine design has being carried out in the company. With an experienced technical team, Savema will continue to be a leader of the most efficient implementations and technological innovations in the marking and coding industry.

Savema has been always given importance to Research and Development, made investments to this field and has the best experts in its team. Savema has been produced high performance, low cost thermal transfer printers and the units are suitable for all intermittent and continuous applications within the food, pharmaceutical cosmetics and automobile spare parts industries has the capability to code all kinds of 1D barcodes and 2D datamatrix codes.

### Vision:

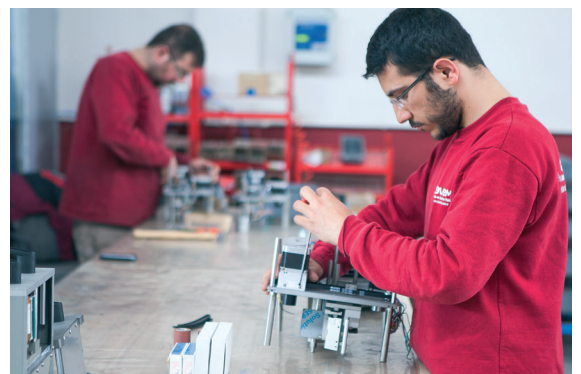
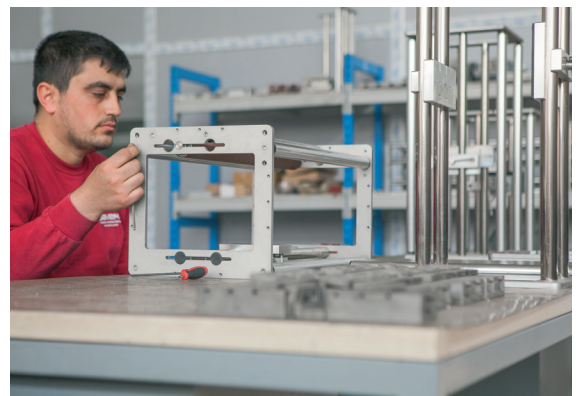
To be the company that best understands and satisfies the customer requests on marking and coding business and supply best quality products for the needs. By adopting a continuous improvement and high quality service so that has become a leader and a permanent company in the industry.

### Mission:

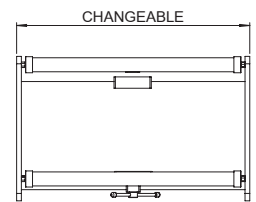
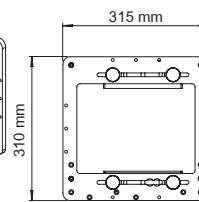
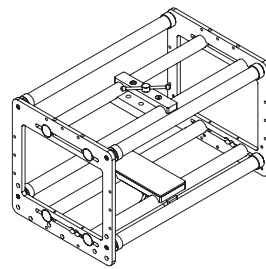
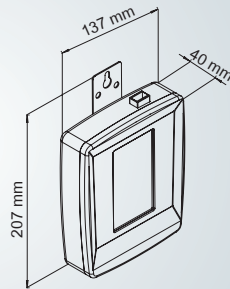
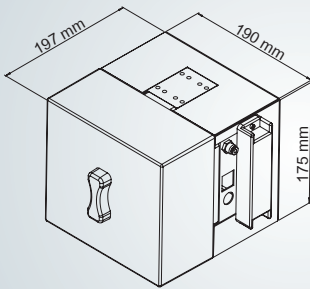
According to the needs of our customers to produce machines that gives the highest level of satisfaction, and minimum maintenance and support.

### Quality Policy:

- Always working with customer-oriented.
- Producing printers with maximum performance but less maintenance.
- Provide fast and effective after sales support.
- Keeping always stock available.
- As a final stage, get maximum customer satisfaction.

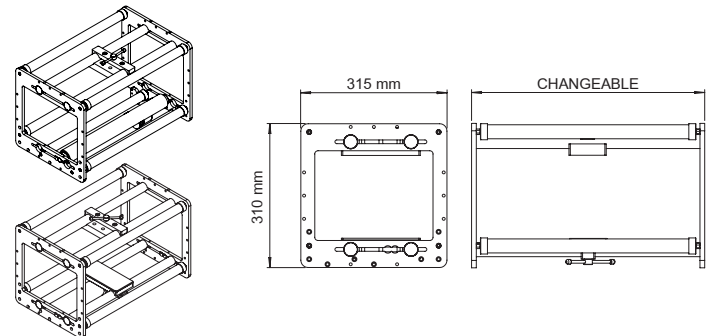
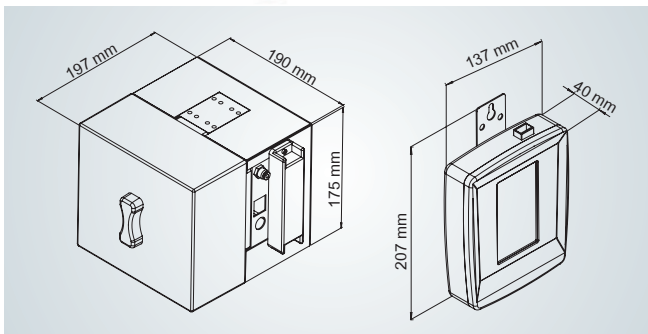


# THERMAL TRANSFER OVERPRINTERS SVM 32\*40 I SVM 53\*40 I Magnetic



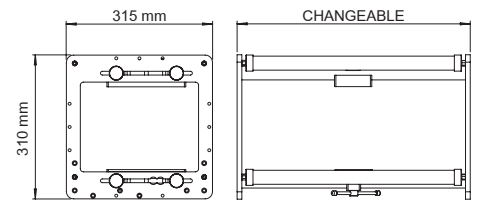
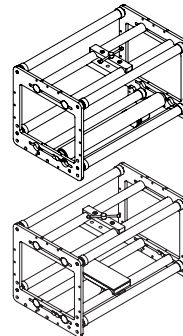
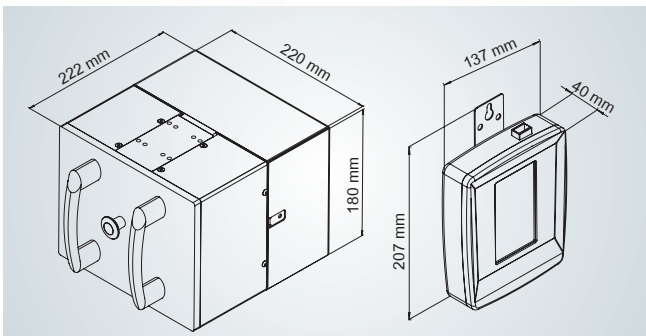
Specifications	SVM 32*40 I	SVM 53*40 I
Print Area	32mm x 40mm	53mm x 40mm
Print Speed	Max. 300mm/sec.	Max. 300mm/sec.
Production	100 prints/min. ( in one line)	
Resolution	12 dots/mm (300dpi) horizontally and vertically	
Ribbon Widths & Length	22 mm, 35 mm and 55 mm (0,9" -1,4"-2,2") / 600 meters (656 yds.) loaded ribbon	
Memory	5000 text memory, 512 Mb. Ram, 1 Gb Storage (Onboard), Up to 8 Gb SD Memory Support, Up to 16 Gb USB Memory Support, (FAT32)	
Power Supply	110/220V 50/60 Hz	
Air Supply (Bar)	Magnetic / Don't Need Air	
Weight (Printer)	5,6 Kg.	
Dimensions	175mm H x 190mm W x 197mm D	175mm H x 190mm W x 210mm D
Operating Temperature	5° -50° (41-104 °F)	
Operator Interface	4.3" 480x272 pixels resolution, Full-color display, Password protection on menus, Multi-language(18) support	
Outputs	Fault signal, Busy signal.	
Connection Types	Relay(NPN, PNP) Photocell (NPN, PNP)	
Software	SAYASIS Label Design(Real time date and time, text, counter, logo, shift codes, 1D/2D barcodes, GS-1 barcodes and GS-1 Creation Wizard support), Windows Printer Driver(32-64 bit), Teklynx Software(Codesoft, Labelview, and Labelmatrix), Emulator support, Managing printer via SPPL (Savema Protocol) commands, Working with all True-Type fonts (if font doesn't pre-loaded, it must be imported to printer), Remote display control from PC, .csv file support for database	
Communications	RS-232(PC), LAN(Ethernet), USB	
Ribbon Save Modes	Horizontal and Vertical Ribbon Save Modes	
Advanced Control	Settings "Home position", Contrast, Print Delay, Saving templates with pre-used settings, signal outputs (Busy and Fault Signal Output)	
Barcodes	1D barcodes( EAN-13, EAN-8, CODE 128, CODE 39, CODABAR, ITF 2of5, ITF 14, UPC-A,UPC-E), 2D Barcodes(Datamatrix, QR Code, PDF417, Azteccode), GS-1 Barcodes( GS1-128, GS1-Datamatrix, GS1-Databar barcodes)	

# THERMAL TRANSFER OVERPRINTERS SVM 32\*50 I SVM 53\*50 I SVM 32 C



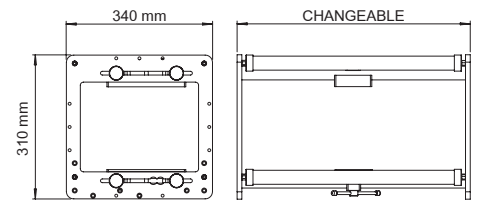
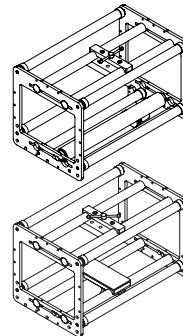
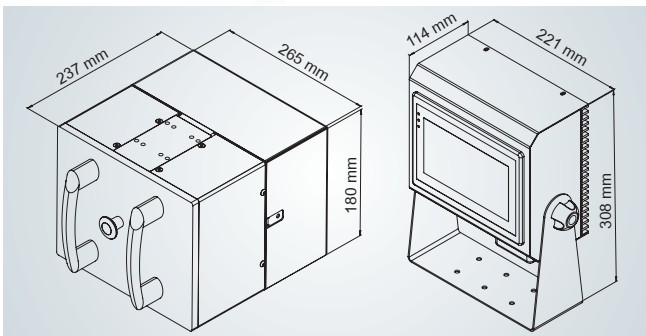
Specifications	SVM 32 C	SVM 32*50 I	SVM 53*50 I
Print Area	32mm x 125mm	32mm x 50mm	53mm x 50mm
Print Speed	10 - 600mm/sec.	Max. 400mm/sec.	Max. 400mm/sec.
Production	400 prints/min.	330 prints/min.	330 prints/min.
Resolution	12 dots/mm (300dpi) horizontally and vertically		
Ribbon Widths & Length	22 mm, 35 mm and 55 mm (0,9" -1,4"-2,2") / 600 meters (656 yds.) loaded ribbon		
Memory	5000 text memory, 512 Mb. Ram, 1 Gb Storage (Onboard), Up to 8 Gb SD Memory Support, Up to 16 Gb USB Memory Support, (FAT32)		
Power Supply	110/220V 50/60 Hz		
Air Supply (Bar)	min. 1 bar - max. 4 bar		
Weight (Printer)	5,6 Kg.		
Dimensions	175mm H x 190mm W x 197mm D		
Operating Temperature	5° -50° (41-104 °F)		
Operator Interface	4.3" 480x272 pixels resolution, Full-color display, Password protection on menus, Multi-language(18) support		
Outputs	Fault signal, Busy signal.		
Connection Types	Internal Contact Mode, Trigger Contact Mode, Relay(NPN, PNP) Photocell(NPN, PNP)	Relay(NPN, PNP) Photocell(NPN, PNP)	
Software	SAYASIS Label Design(Real time date and time, text, counter, logo, shift codes, 1D/2D barcodes, GS-1 barcodes and GS-1 Creation Wizard support), Windows Printer Driver(32-64 bit), Teklynx Software(Codesoft, Labelview, and Labelmatrix), Emulator support, Managing printer via SPPL (Savema Protocol) commands, Working with all True-Type fonts (if font doesn't pre-loaded, it must be imported to printer), Remote display control from PC, .csv file support for database		
Communications	RS-232(PC), LAN(Ethernet), USB		
Ribbon Save Modes	Vertical Ribbon Save Modes	Horizontal and Vertical Ribbon Save Modes	
Advanced Control	Contrast, Print Delay, Saving Templates with Pre-used Settings, Signal Outputs(Busy and Fault Output)	Settings "Home Position", Contrast, Print Delay, Saving Templates with Pre-used Settings, Signal Outputs(Busy and Fault Output)	
Barcodes	1D barcodes( EAN-13, EAN-8, CODE 39, CODABAR, ITF 2of5, ITF 14, UPC-A,UPC-E), 2D Barcodes(Datamatrix, QR Code, PDF417, Azteccode), GS-1 Barcodes( GS1-128, GS1-Datamatrix, GS1-Databar barcodes)		

# THERMAL TRANSFER OVERPRINTERS SVM 32\*70 I SVM 32 CK



Specifications	SVM 32 CK	SVM 32*70 I
Print Area	32mm x 125mm (Standard) 32mm x 250mm (Optional)	32mm x 76mm
Print Speed	10 - 800mm/sec.	Max. 400mm/sec.
Production	500 prints/min.	330 prints/min.
Resolution	12 dots/mm (300dpi) horizontally and vertically	
Ribbon Widths & Length	22 mm, 35 mm and 55 mm (0,9" -1,4"-2,2") / 600 meters (656 yds.) loaded ribbon	
Memory	5000 text memory, 512 Mb. Ram, 1 Gb Storage (Onboard), Up to 8 Gb SD Memory Support, Up to 16 Gb USB Memory Support, (FAT32)	
Power Supply	110/220V 50/60 Hz	
Air Supply (Bar)	min. 1 bar - max. 4 bar	
Weight (Printer)	9,4 Kg.	
Dimensions	180mm H x 220mm W x 222mm D	
Operating Temperature	5° -50° (41-104 °F)	
Operator Interface	4.3" 480x272 pixels resolution, Full-color display, Password protection on menus, Multi-language(18) support	
Outputs	Fault signal, Busy signal.	
Connection Types	Internal Contact Mode, Trigger Contact Mode, Relay (NPN, PNP) Photocell (NPN, PNP)	Relay(NPN, PNP) Photocell(NPN, PNP)
Software	SAYASIS Label Design(Real time date and time, text, counter, logo, shift codes, 1D/2D barcodes, GS-1 barcodes and GS-1 Creation Wizard support), Windows Printer Driver(32-64 bit), Teklynx Software(Codesoft, Labelview, and Labelmatrix), Emulator support, Managing printer via SPPL (Savema Protocol) commands, Working with all True-Type fonts (if font doesn't pre-loaded, it must be imported to printer), Remote display control from PC, .csv file support for database	
Communications	RS-232(PC), LAN(Ethernet), USB	
Ribbon Save Modes	Vertical Ribbon Save Mode	Horizontal and Vertical Ribbon Save Modes
Advanced Control	Contrast, Print Delay, Saving Templates with Pre-used Settings, Signal Outputs(Busy and Fault Output)	Settings "Home Position", Contrast, Print Delay, Saving Templates with Pre-used Settings, Signal Outputs (Busy and Fault Output)
Barcodes	1D barcodes( EAN-13, EAN-8, CODE 128, CODE 39, CODABAR, ITF 2of5, ITF 14, UPC-A,UPC-E), 2D Barcodes(Datamatrix, QR Code, PDF417, Azteccode), GS-1 Barcodes( GS1-128, GS1-Datamatrix, GS1-Databar barcodes)	

# THERMAL TRANSFER OVERPRINTERS SVM 32\*70 I XL SVM 32 CK XL



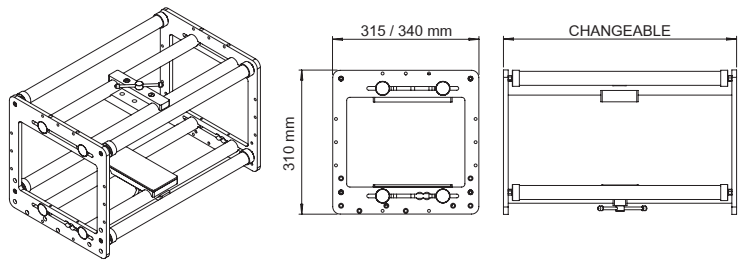
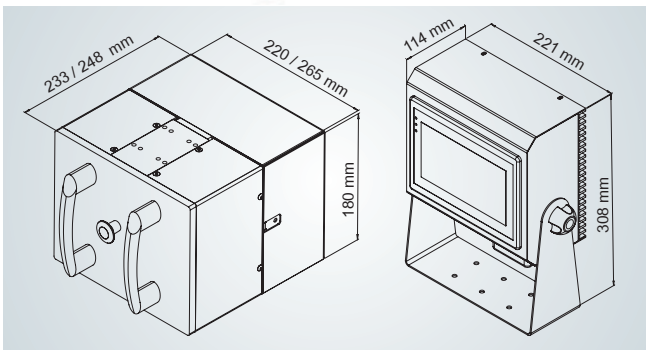
Specifications	SVM 32 CK XL	SVM 32*70 I XL
Print Area	32mm x 125mm (Standard) 32mm x 250mm (Optional)	32mm x 76mm
Print Speed	10 - 800mm/sec.	Max. 400mm/sec.
Production	500 prints/min.	330 prints/min.
Resolution	12 dots/mm (300dpi) horizontally and vertically	
Ribbon Widths & Length	22 mm, 35 mm and 55 mm (0,9" -1,4"-2,2") / 1.000 meters (1.093 yds.) loaded ribbon	
Memory	5000 text memory, 512 Mb. Ram, 1 Gb Storage (Onboard), Up to 8 Gb SD Memory Support, Up to 16 Gb USB Memory Support, (FAT32)	
Power Supply	110/220V 50/60 Hz	
Air Supply (Bar)	min. 1 bar - max. 4 bar	
Weight (Printer)	9,4 Kg.	
Dimensions	180mm H x 265mm W x 237mm D	
Operating Temperature	5° -50° (41-104 °F)	
Operator Interface	7" 800x480 pixels resolution, Full-color display, Password protection on menus, Multi-language(18) support	
Outputs	Fault signal, Busy signal.	
Connection Types	Internal Contact Mode, Trigger Contact Mode, Relay(NPN, PNP) Photocell(NPN, PNP)	Relay(NPN, PNP) Photocell(NPN, PNP)
Software	SAYASIS Label Design(Real time date and time, text, counter, logo, shift codes, 1D/2D barcodes, GS-1 barcodes and GS-1 Creation Wizard support), Windows Printer Driver(32-64 bit), Teklynx Software(Codesoft, Labelview, and Labelmatrix), Emulator support, Managing printer via SPPL (Savema Protocol) commands, Working with all True-Type fonts (if font doesn't pre-loaded, it must be imported to printer), Remote display control from PC, .csv file support for database	
Communications	RS-232(PC), LAN(Ethernet), USB	
Ribbon Save Modes	Vertical Ribbon Save Modes	Horizontal and Vertical Ribbon Save Modes
Advanced Control	Contrast, Print Delay, Saving Templates with Pre-used Settings, Signal Outputs(Busy and Fault Output)	Settings "Home Position", Contrast, Print Delay, Saving Templates with Pre-used Settings, Signal Outputs (Busy and Fault Output)
Barcodes	1D barcodes( EAN-13, EAN-8, CODE 128, CODE 39, CODABAR, ITF 2of5, ITF 14, UPC-A,UPC-E), 2D Barcodes(Datamatrix, QR Code, PDF417, Azteccode), GS-1 Barcodes( GS1-128, GS1-Datamatrix, GS1-Databar barcodes)	

# THERMAL TRANSFER OVERPRINTERS

## SVM 53\*70 I

## SVM 53\*125 I

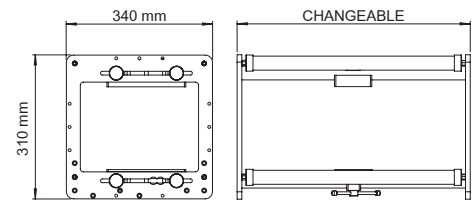
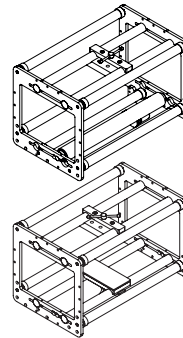
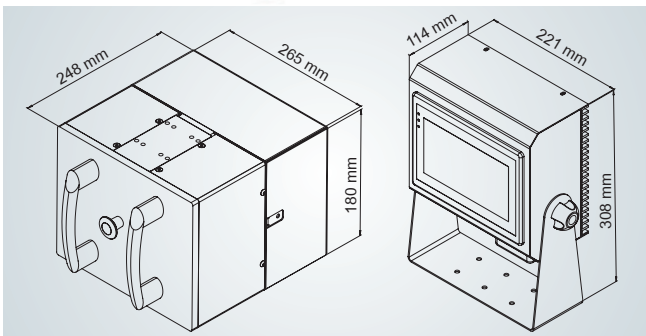
## SVM 53 C



Specifications	SVM 53 C	SVM 53*70 I	SVM 53*125 I
Print Area	53mm x 125mm (Standard) 53mm x 250mm (Optional)	53mm x 76mm	53mm x 125mm
Print Speed	10-800mm/sec.	Max. 450mm/sec.	Max. 400mm/sec.
Production	500 prints/min.	330 prints/min.	330 prints/min.
Resolution	12 dots/mm (300dpi) horizontally and vertically		
Ribbon Widths & Length	22 mm, 35 mm and 55 mm (0,9" -1,4"-2,2") / 600 meters (656 yds.) loaded ribbon		
Memory	5000 text memory, 512 Mb. Ram, 1 Gb Storage (Onboard), Up to 8 Gb SD Memory Support, Up to 16 Gb USB Memory Support, (FAT32)		
Power Supply	110/220V 50/60 Hz		
Air Supply (Bar)	min. 1 bar - max. 4 bar		
Weight (Printer)	9,4 Kg.		11 Kg.
Dimensions	180mm H x 220mm W x 233mm D		180mm H x 248mm W x 265mm D
Operating Temperature	5° -50° (41-104 °F)		
Operator Interface	7" 800x480 pixels resolution, Full-color display, Password protection on menus, Multi-language(18) support		
Outputs	Fault signal, Busy signal.		
Connection Types	Internal Contact Mode, Trigger Contact Mode, Relay(NPN, PNP) Photocell(NPN, PNP)	Relay(NPN, PNP) Photocell(NPN, PNP)	
Software	SAYASIS Label Design(Real time date and time, text, counter, logo, shift codes, 1D/2D barcodes, GS-1 barcodes and GS-1 Creation Wizard support), Windows Printer Driver(32-64 bit), Teklynx Software(Codesoft, Labelview, and Labelmatrix), Emulator support, Managing printer via SPPL (Savema Protocol) commands, Working with all True-Type fonts (if font doesn't pre-loaded, it must be imported to printer), Remote display control from PC, .csv file support for database		
Communications	RS-232(PC), LAN(Ethernet), USB		
Ribbon Save Modes	Vertical Ribbon Save Modes	Horizontal and Vertical Ribbon Save Modes	
Advanced Control	Contrast, Print Delay, Saving Templates with Pre-used Settings, Signal Outputs (Busy and Fault Output)	Settings "Home Position", Contrast, Print Delay, Saving Templates with Pre-used Settings, Signal Outputs(Busy and Fault Output)	
Barcodes	1D barcodes( EAN-13, EAN-8, CODE 128, CODE 39, CODABAR, ITF 2of5, ITF 14, UPC-A,UPC-E), 2D Barcodes(Datamatrix, QR Code, PDF417, Azteccode), GS-1 Barcodes( GS1-128, GS1-Datamatrix, GS1-Databar barcodes)		



# THERMAL TRANSFER OVERPRINTERS SVM 53\*70 I XL SVM 53 C XL



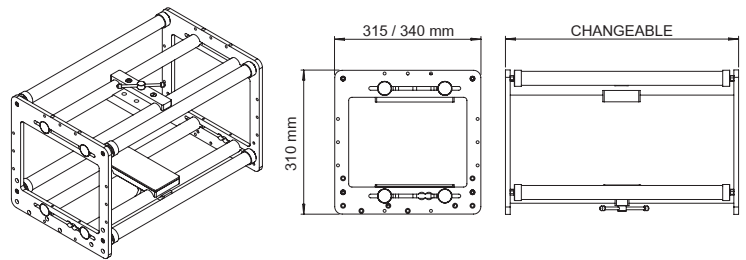
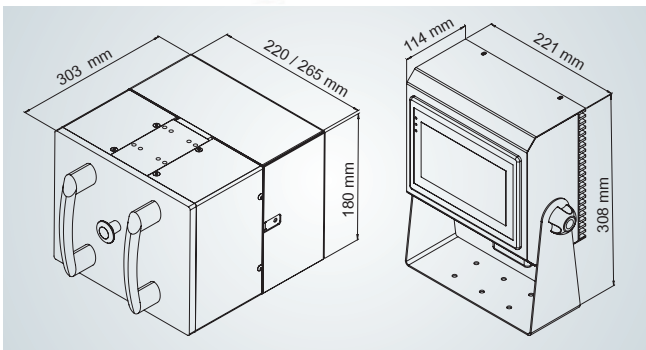
Specifications	SVM 53 C XL	SVM 53*70 I XL
Print Area	53mm x 125mm (Standard) 53mm x 250mm (Optional)	53mm x 76mm
Print Speed	10-800mm/sec.	Max. 400mm/sec.
Production	500 prints/min.	330 prints/min.
Resolution	12 dots/mm (300dpi) horizontally and vertically	
Ribbon Widths & Length	22 mm, 35 mm and 55 mm (0,9" -1,4"-2,2") / 1.000 meters (1.093 yds.) loaded ribbon	
Memory	5000 text memory, 512 Mb. Ram, 1 Gb Storage (Onboard), Up to 8 Gb SD Memory Support, Up to 16 Gb USB Memory Support, (FAT32)	
Power Supply	110/220V 50/60 Hz	
Air Supply (Bar)	min. 1 bar - max. 4 bar	
Weight (Printer)	11 Kg.	
Dimensions	180mm H x 248mm W x 265mm D	
Operating Temperature	5° -50° (41-104 °F)	
Operator Interface	7" 800x480 pixels resolution, Full-color display, Password protection on menus, Multi-language(18) support	
Outputs	Fault signal, Busy signal.	
Connection Types	Internal Contact Mode, Trigger Contact Mode, Relay(NPN, PNP) Photocell(NPN, PNP)	Relay(NPN, PNP) Photocell(NPN, PNP)
Software	SAYASIS Label Design(Real time date and time, text, counter, logo, shift codes, 1D/2D barcodes, GS-1 barcodes and GS-1 Creation Wizard support), Windows Printer Driver(32-64 bit), Teklynx Software(Codesoft, Labelview, and Labelmatrix), Emulator support, Managing printer via SPPL (Savema Protocol) commands, Working with all True-Type fonts (if font doesn't pre-loaded, it must be imported to printer), Remote display control from PC, .csv file support for database	
Communications	RS-232(PC), LAN(Ethernet), USB	
Ribbon Save Modes	Vertical Ribbon Save Modes	Horizontal and Vertical Ribbon Save Modes
Advanced Control	Contrast, Print Delay, Saving Templates with Pre-used Settings, Signal Outputs(Busy and Fault Output)	Settings "Home Position", Contrast, Print Delay, Saving Templates with Pre-used Settings, Signal Outputs (Busy and Fault Output)
Barcodes	1D barcodes( EAN-13, EAN-8, CODE 128, CODE 39, CODABAR, ITF 2of5, ITF 14, UPC-A,UPC-E), 2D Barcodes(Datamatrix, QR Code, PDF417, Azteccode), GS-1 Barcodes( GS1-128, GS1-Datamatrix, GS1-Databar barcodes)	

# THERMAL TRANSFER OVERPRINTERS

## SVM 107\*75 I

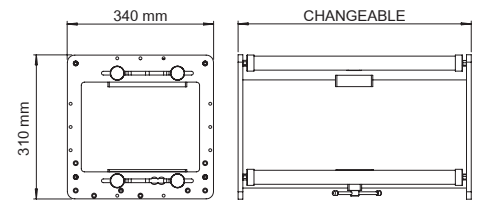
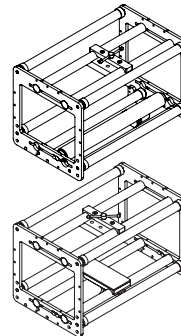
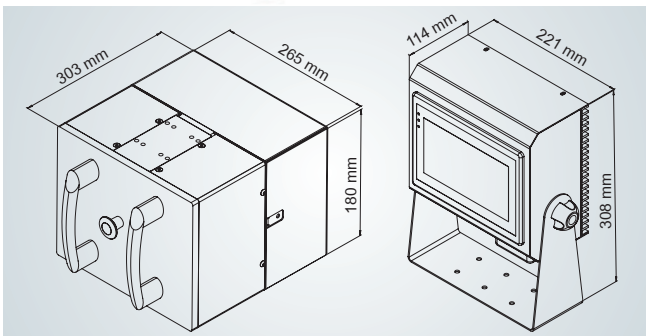
## SVM 107\*125 I

## SVM 107 C



Specifications	SVM 107 C	SVM 107*75 I	SVM 107*125 I
Print Area	107mm x 125mm (Standard) 107mm x 250mm (Optional)	107mm x 76mm	107mm x 125mm
Print Speed	10-600mm/sec.	Max. 400mm/sec.	Max. 400mm/sec.
Production	300 prints/min.	320 prints/min.	320 prints/min.
Resolution	12 dots/mm (300dpi) horizontally and vertically		
Ribbon Widths & Length	55 mm. 110 mm. (2,2" - 4,28") / 600 meters (656 yds.) loaded ribbon		
Memory	5000 text memory, 512 Mb. Ram, 1 Gb Storage (Onboard), Up to 8 Gb SD Memory Support, Up to 16 Gb USB Memory Support, (FAT32)		
Power Supply	110/220V 50/60 Hz		
Air Supply (Bar)	min. 1 bar - max. 4 bar		
Weight (Printer)	11,6 Kg.		
Dimensions	180mm H x 220mm W x 303mm D		180mm H x 265mm W x 303mm D
Operating Temperature	5° -50° (41-104 °F)		
Operator Interface	7" 800x480 pixels resolution, Full-color display, Password protection on menus, Multi-language(18) support		
Outputs	Fault signal, Busy signal.		
Connection Types	Internal Contact Mode, Trigger Contact Mode, Relay(NPN, PNP) Photocell(NPN, PNP)	Relay(NPN, PNP) Photocell(NPN, PNP)	
Software	SAYASIS Label Design(Real time date and time, text, counter, logo, shift codes, 1D/2D barcodes, GS-1 barcodes and GS-1 Creation Wizard support), Windows Printer Driver(32-64 bit), Teklynx Software(Codesoft, Labelview, and Labelmatrix), Emulator support, Managing printer via SPPL (Savema Protocol) commands, Working with all True-Type fonts (if font doesn't pre-loaded, it must be imported to printer), Remote display control from PC, .csv file support for database		
Communications	RS-232(PC), LAN(Ethernet), USB		
Ribbon Save Modes	Vertical Ribbon Save Modes	Horizontal and Vertical Ribbon Save Modes	
Advanced Control	Contrast, Print Delay, Saving Templates with Pre-used Settings, Signal Outputs(Busy and Fault Output)	Settings "Home Position", Contrast, Print Delay, Saving Templates with Pre-used Settings, Signal Outputs(Busy and Fault Output)	
Barcodes	1D barcodes( EAN-13, EAN-8, CODE 128, CODE 39, CODABAR, ITF 2of5, ITF 14, UPC-A,UPC-E), 2D Barcodes(Datamatrix, QR Code, PDF417, Azteccode), GS-1 Barcodes( GS1-128, GS1-Datamatrix, GS1-Databar barcodes)		

# THERMAL TRANSFER OVERPRINTERS SVM 107\*75 I XL SVM 107 C XL



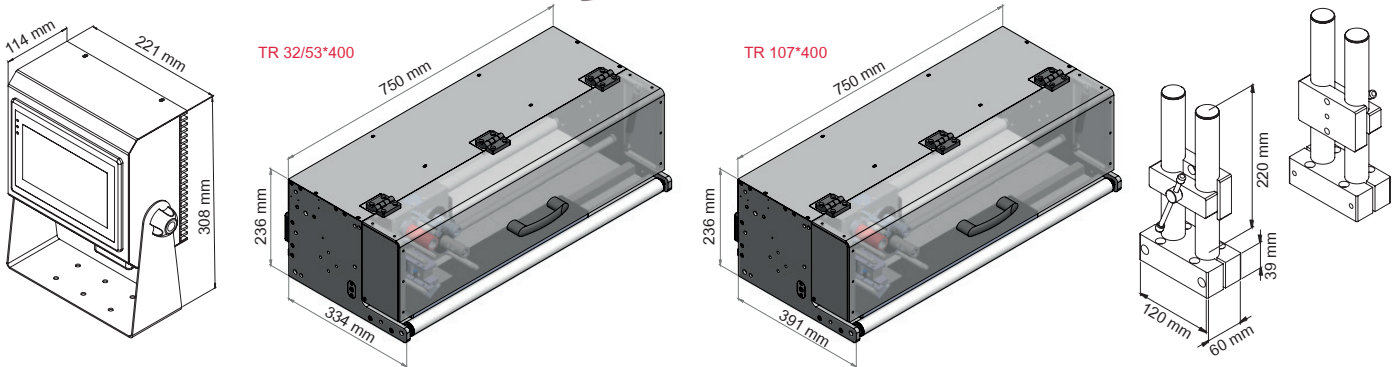
Specifications	SVM 107 C XL	SVM 107*75 I XL
Print Area	107mm x 125mm (Standard) 107mm x 250mm (Optional)	107mm x 76mm
Print Speed	10-600mm/sec.	Max. 400mm/sec.
Production	300 prints/min.	320 prints/min.
Resolution	12 dots/mm (300dpi) horizontally and vertically	
Ribbon Widths & Length	55 mm. 110 mm. (2,2" - 4,28") / 1.000 meters (1.093 yds.) loaded ribbon	
Memory	5000 text memory, 512 Mb. Ram, 1 Gb Storage (Onboard), Up to 8 Gb SD Memory Support, Up to 16 Gb USB Memory Support, (FAT32)	
Power Supply	110/220V 50/60 Hz	
Air Supply (Bar)	min. 1 bar - max. 4 bar	
Weight (Printer)	11,6 Kg.	
Dimensions	180mm H x 220mm W x 303mm D	
Operating Temperature	5° -50° (41-104 °F)	
Operator Interface	7" 800x480 pixels resolution, Full-color display, Password protection on menus, Multi-language(18) support	
Outputs	Fault signal, Busy signal.	
Connection Types	Internal Contact Mode, Trigger Contact Mode, Relay(NPN, PNP) Photocell(NPN, PNP)	Relay(NPN, PNP) Photocell(NPN, PNP)
Software	SAYASIS Label Design(Real time date and time, text, counter, logo, shift codes, 1D/2D barcodes, GS-1 barcodes and GS-1 Creation Wizard support), Windows Printer Driver(32-64 bit), Teklynx Software(Codesoft, Labelview, and Labelmatrix), Emulator support, Managing printer via SPPL (Savema Protocol) commands, Working with all True-Type fonts (if font doesn't pre-loaded, it must be imported to printer), Remote display control from PC, .csv file support for database	
Communications	RS-232(PC), LAN(Ethernet), USB	
Ribbon Save Modes	Vertical Ribbon Save Modes	Horizontal and Vertical Ribbon Save Modes
Advanced Control	Contrast, Print Delay, Saving Templates with Pre-used Settings, Signal Outputs(Busy and Fault Output)	Settings "Home Position", Contrast, Print Delay, Saving Templates with Pre-used Settings, Signal Outputs(Busy and Fault Output)
Barcodes	1D barcodes( EAN-13, EAN-8, CODE 128, CODE 39, CODABAR, ITF 2of5, ITF 14, UPC-A,UPC-E), 2D Barcodes(Datamatrix, QR Code, PDF417, Azteccode), GS-1 Barcodes( GS1-128, GS1-Datamatrix, GS1-Databar barcodes)	

# THERMAL TRANSFER OVERPRINTERS

## SVM TR32\*400

## SVM TR53\*400

## SVM TR107\*400



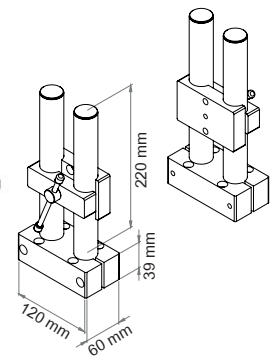
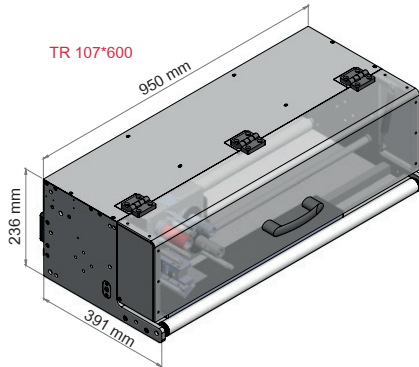
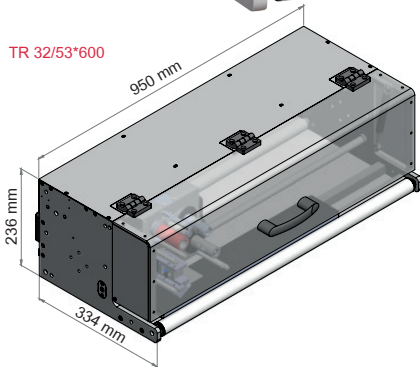
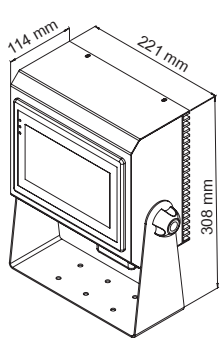
Specifications	SVM TR32*400	SVM TR53*400	SVM TR107*400
Print Area	32mm x 400mm	53mm x 400mm	107mm x 400mm
Print Speed	Max. 400mm/sec.		
Resolution	12 dots/mm (300dpi) horizontally and vertically		
Ribbon Widths & Length	35mm, 55 mm, 110 mm. (1.4" - 2,2" - 4,28") / 600 meters (656 yds.) loaded ribbon		
Memory	5000 text memory, 512 Mb. Ram, 1 Gb Storage (Onboard), Up to 8 Gb SD Memory Support, Up to 16 Gb USB Memory Support, (FAT32)		
Power Supply	110/220V 50/60 Hz		
Air Supply (Bar)	min. 1 bar - max. 4 bar		
Weight (Printer)	23 Kg.		
Dimensions	236mm H x 334mm W x 750mm L		236mm H x 391mm W x 750mm L
Operating Temperature	5° -50° (41-104 °F)		
Operator Interface	7" 800x480 pixels resolution, Full-color display, Password protection on menus, Multi-language(18) support		
Outputs	Fault signal, Busy signal.		
Connection Types	Relay(NPN, PNP) Photocell (NPN, PNP)		
Software	SAYASIS Label Design(Real time date and time, text, counter, logo, shift codes, 1D/2D barcodes, GS-1 barcodes and GS-1 Creation Wizard support), Windows Printer Driver(32-64 bit), Teklynx Software(Codesoft, Labelview, and Labelmatrix), Emulator support, Managing printer via SPPL (Savema Protocol) commands, Working with all True-Type fonts (if font doesn't pre-loaded, it must be imported to printer), Remote display control from PC, .csv file support for database		
Communications	RS-232(PC), LAN(Ethernet), USB		
Advanced Control	Contrast, Print Delay, Saving Templates with Pre-used Settings, Signal Outputs(Busy and Fault Output)		
Barcodes	1D barcodes( EAN-13, EAN-8, CODE 128, CODE 39, CODABAR, ITF 2of5, ITF 14, UPC-A,UPC-E), 2D Barcodes(Datamatrix, QR Code, PDF417, Azteccode), GS-1 Barcodes( GS1-128, GS1-Datamatrix, GS1-Databar barcodes)		

# THERMAL TRANSFER OVERPRINTERS

## SVM TR32\*600

## SVM TR53\*600

## SVM TR107\*600



Specifications	SVM TR32*600	SVM TR53*600	SVM TR107*600
Print Area	32mm x 600mm	53mm x 600mm	107mm x 600mm
Print Speed	Max. 400mm/sec.		
Resolution	12 dots/mm (300dpi) horizontally and vertically		
Ribbon Widths & Length	35mm, 55 mm, 110 mm. (1.4" - 2.2" - 4.28") / 600 meters (656 yds.) loaded ribbon		
Memory	5000 text memory, 512 Mb. Ram, 1 Gb Storage (Onboard), Up to 8 Gb SD Memory Support, Up to 16 Gb USB Memory Support, (FAT32)		
Power Supply	110/220V 50/60 Hz		
Air Supply (Bar)	min. 1 bar - max. 4 bar		
Weight (Printer)	23 Kg.		
Dimensions	236mm H x 334mm W x 950mm L		236mm H x 391mm W x 950mm L
Operating Temperature	5° -50° (41-104 °F)		
Operator Interface	7" 800x480 pixels resolution, Full-color display, Password protection on menus, Multi-language(18) support		
Outputs	Fault signal, Busy signal.		
Connection Types	Relay(NPN, PNP) Photocell (NPN, PNP)		
Software	SAYASIS Label Design(Real time date and time, text, counter, logo, shift codes, 1D/2D barcodes, GS-1 barcodes and GS-1 Creation Wizard support), Windows Printer Driver(32-64 bit), Teklynx Software(Codesoft, Labelview, and Labelmatrix), Emulator support, Managing printer via SPPL (Savema Protocol) commands, Working with all True-Type fonts (if font doesn't pre-loaded, it must be imported to printer), Remote display control from PC, .csv file support for database		
Communications	RS-232(PC), LAN(Ethernet), USB		
Advanced Control	Contrast, Print Delay, Saving Templates with Pre-used Settings, Signal Outputs(Busy and Fault Output)		
Barcodes	1D barcodes( EAN-13, EAN-8, CODE 128, CODE 39, CODABAR, ITF 2of5, ITF 14, UPC-A,UPC-E), 2D Barcodes(Datamatrix, QR Code, PDF417, Azteccode), GS-1 Barcodes( GS1-128, GS1-Datamatrix, GS1-Databar barcodes)		

# SAVEMA FRICTION FEEDER VACUUM FEEDER CONVEYOR BELT



**SVM 100 - A1  
FRICTION FEEDER**



**SVM 100 - A2  
VACUUM FEEDER**

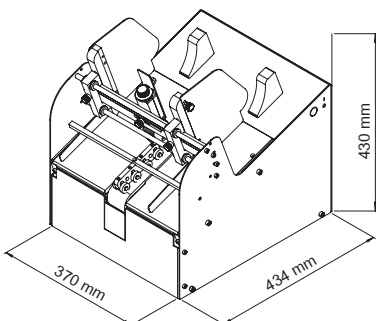


**SVM 100 - B  
CONVEYOR BELT**



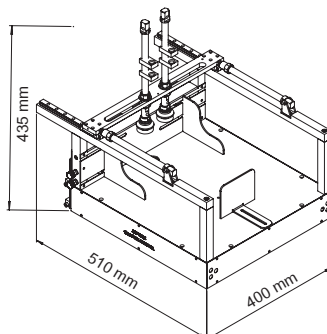
## Friction Feeder Specifications

Min. Width of Product	40mm (W) x 50mm (L)
Max. Width of Product	300mm (W) x 250mm (L)
Min-Max Product Thickness	0,08 mm - 4 mm
Belt Speed	150 mm/sn.
Power	220 V - 50 Hz - 1,5 A
Weight	20 Kg



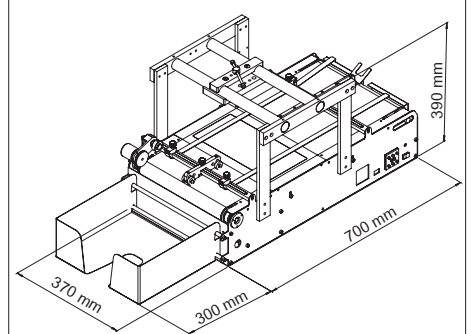
## Vacuum Feeder Specifications

Min. Width of Product	100mm (W) x 100mm (L)
Max. Width of Product	300mm (W) x 320mm (L)
Power	220 V - 50 Hz - 1,5 A
Weight	14 Kg



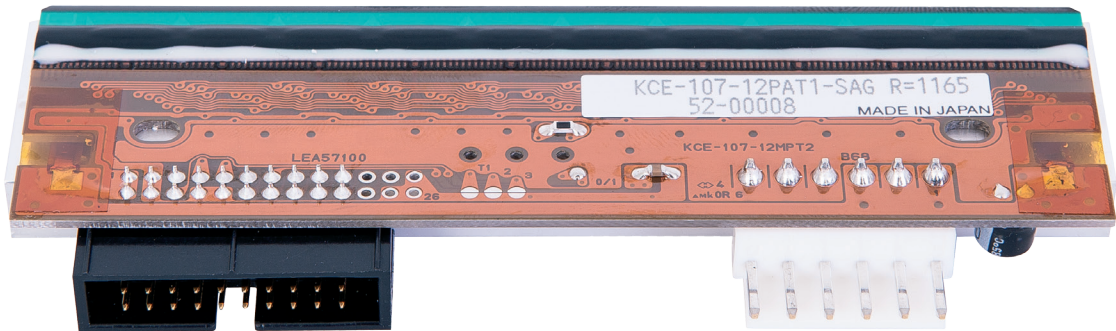
## Conveyor Belt Specifications

Min. Width of Product	40mm (W) x 50mm (L)
Max. Width of Product	300mm (W) x 250mm (L)
Belt Speed	200 mm/sn.
Power	220 V - 50 Hz - 7 A
Weight	48 Kg

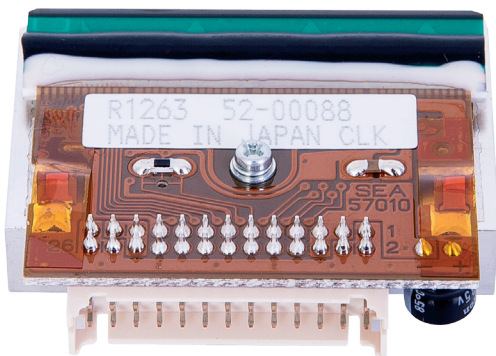


# CONSUMABLES

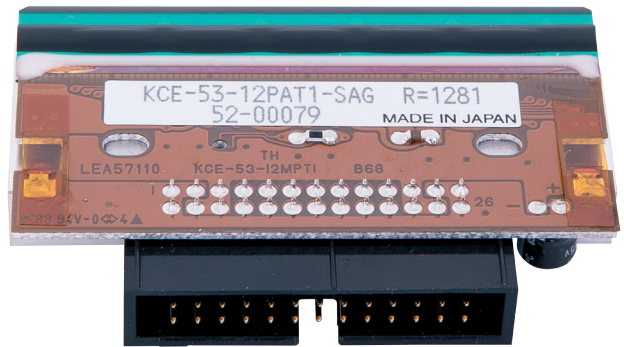
NEAR EDGE KCE 107 THERMAL PRINT HEAD



NEAR EDGE KCE 32 THERMAL PRINT HEAD



NEAR EDGE KCE 53 THERMAL PRINT HEAD



NEAR EDGE THERMAL RIBBONS

